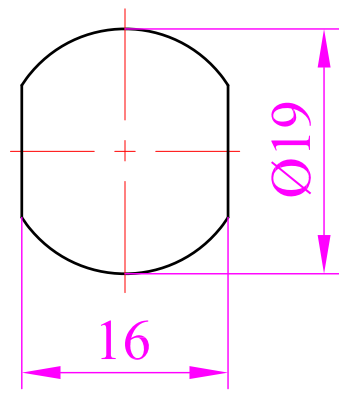
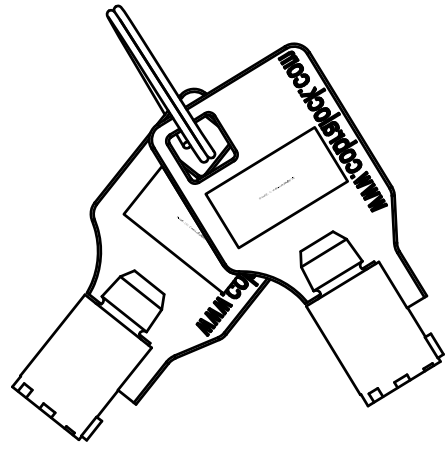
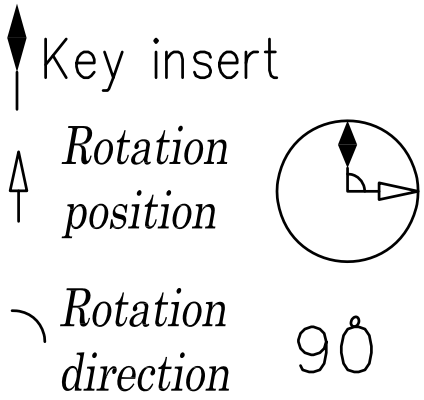
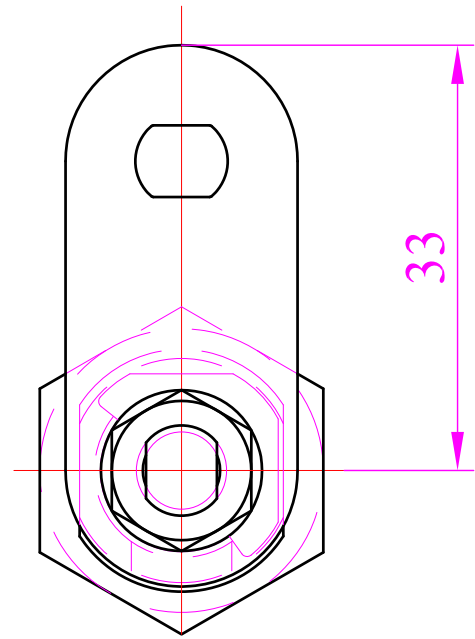
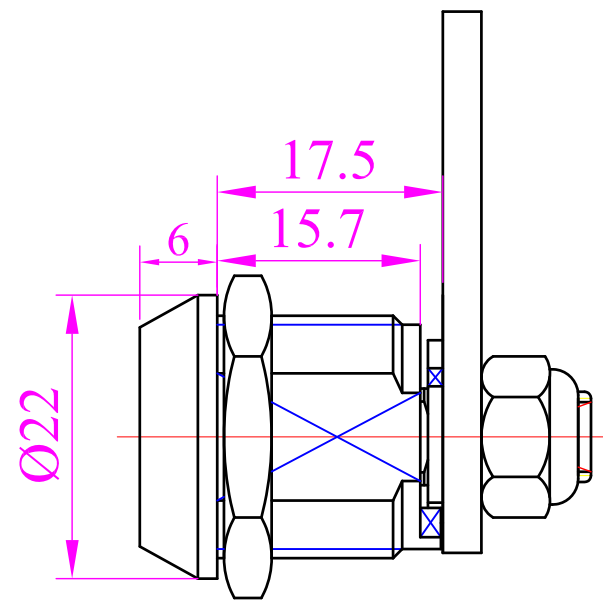
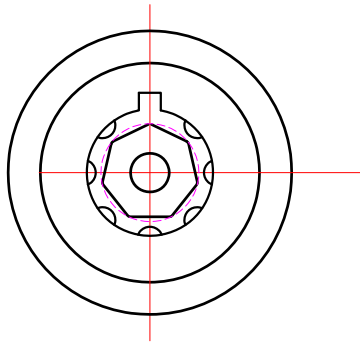


0 1 2 3 4 5 6 7 8 9 10 11 12



Locking Systems International Inc      Cobra Lock

This document is the property of Locking Systems International Inc. Its use is conditioned upon the user agreement not to copy or reproduce the document in whole or part, or to use the document to reproduce the material described therein, or in any other purpose without the written permission of Locking Systems International Inc.	SCALE	UNIT	MATERIAL	FINISH	DESCRIPTION	PART NO.	DATE	REV	
	0	mm	Zinc Alloy	Bright Chrome	Tubular Lock	TF1058-7 TF1058ms-7	03/01/2007	A	

A  
B  
C  
D  
E  
F  
G  
H  
I