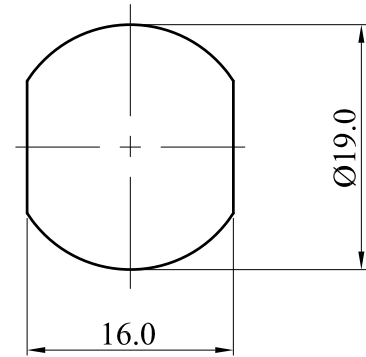


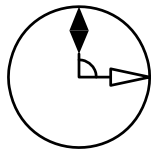
CUTTING HOLE



◆ Key insert

△ Rotation position

↷ Rotation direction



90°

Locking Systems International Inc

Cobra Lock

This document is the property of Locking Systems International Inc. Its use is conditioned upon the user agreement not to copy or reproduce the document in whole or part, or to use the document to reproduce the material described therein, or in any other purpose without the written permission of Locking Systems International Inc.

| SCALE | UNIT | MATERIAL | FINISH | DESCRIPTION | PART NO. | DATE | REV | |
|-------|------|------------|---------------|--------------|-------------------------|------------|-----|--|
| 0 | mm | Zinc Alloy | Bright Chrome | Tubular Lock | TF1038t Threaded End | 03/01/2007 | A | |