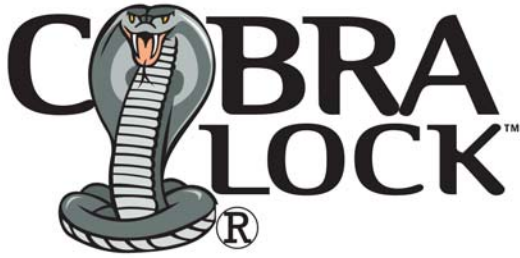


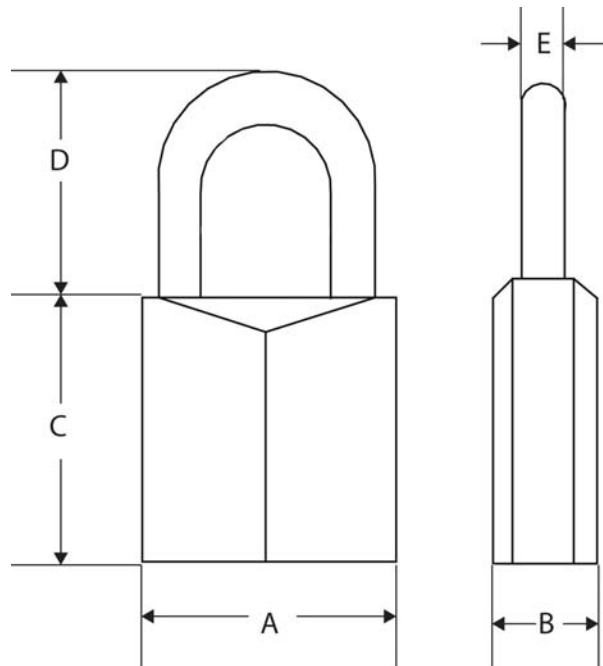
# Cobra 8600 Series Padlock



The **Cobra 8600 Series Padlocks** are constructed of “Solid Brass” with a Stainless Steel Shackle.

The **Cobra 8600** uses the industry standard keyway and keys to provide compatibility with other padlock manufacturers.

The **Cobra 8600** was designed to be moisture and water resistant and for use in high moisture areas and applications such as marine applications



LSI No.	A-Dimension	B-Dimension	C-Dimension	D-Dimension	E-Dimension
TF8600	1.25" (32.5)	.53" 13.5mm)	1.25" (32.5mm)	.86" (21mm)	.31" (8.5mm)